



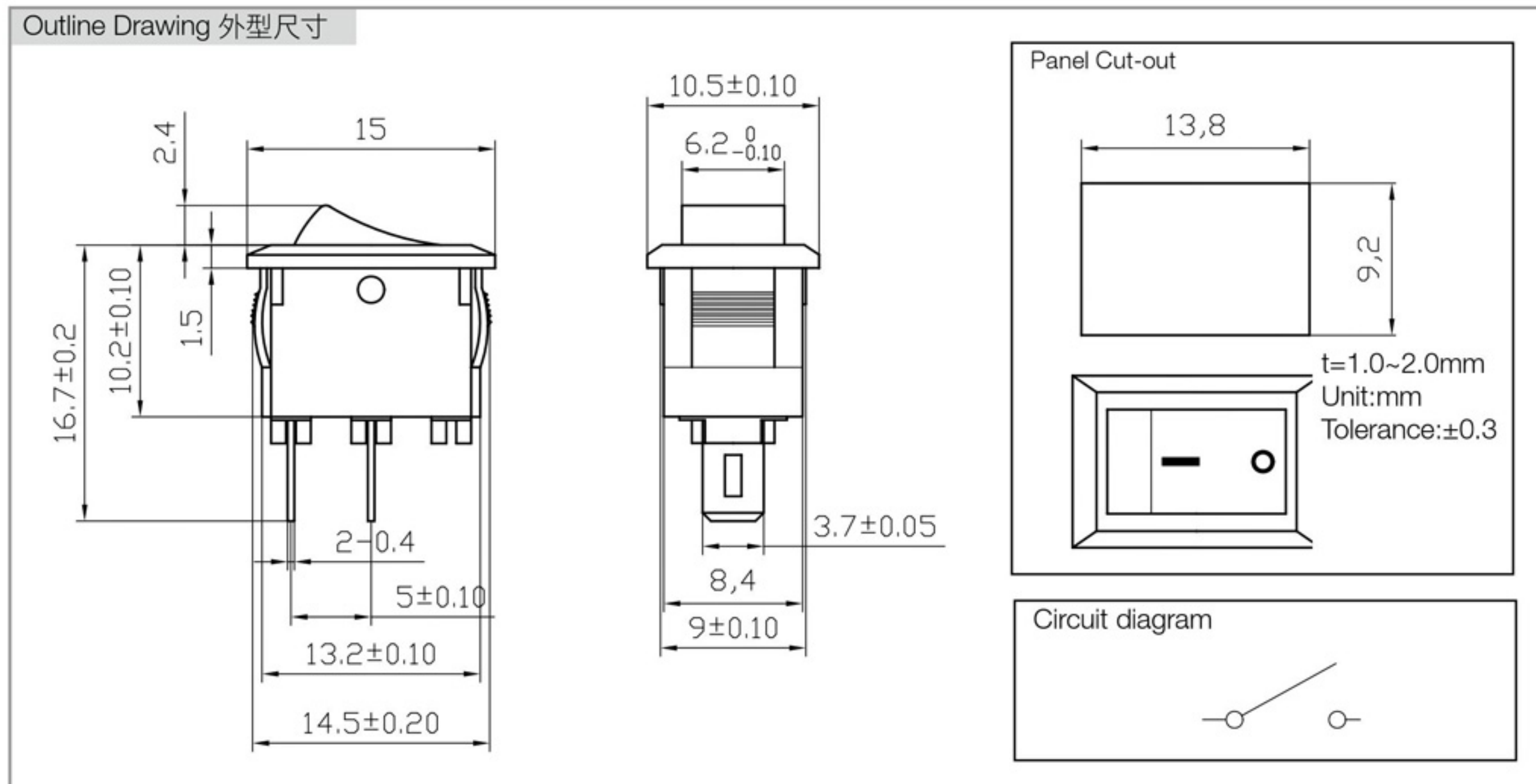
Application 應用

- Quick action.
具有快速動作的特點。
- Tight configuration, small volume.
結構緊湊，體積小。
- Endure dig current and inrush current.
可承受大電流。
- Widely used in home appliances, electric equipments, automatization equipments and similar equipments.
廣泛應用於家用電器、電子設備、自動化設備及類似設備。

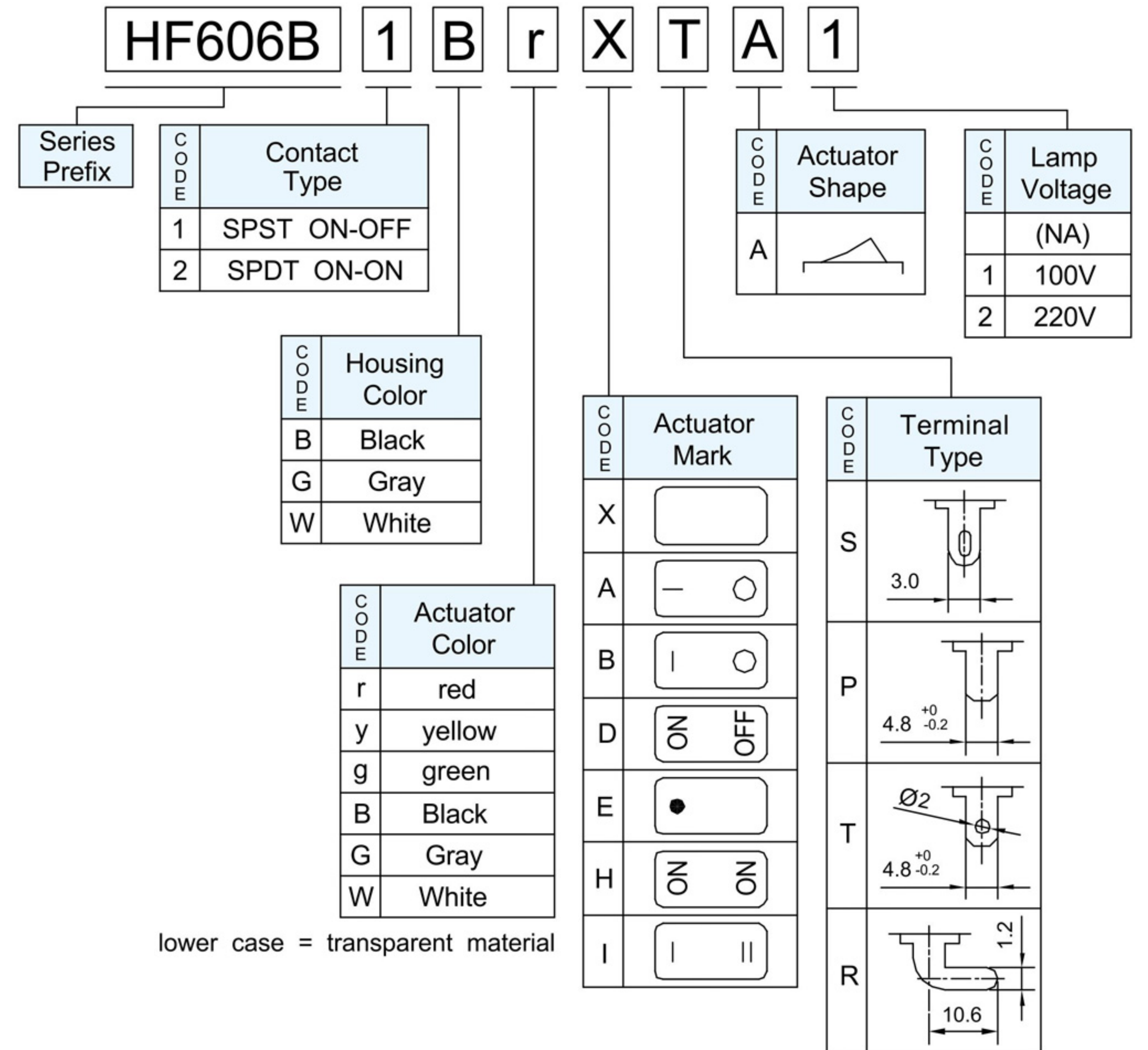
Specifications 技術特性

Items 項目	Value 特性值	
Environment Temperature 環境溫度	20T85	
Relative Humidity 相對溼度	80%RH Max	
Rated Current / Voltage 額定電流 / 電壓	6A 125VAC, 3A 250VAC	
Operating Force 動作力	1000gf Max	
Insulation Resistance 絕緣電阻	≥ 1000MΩ (500VDC)	
Contact Resistance 接觸電阻	≤ 50mΩ	
Test voltage 耐電壓	Between terminals of the same polarity 同級不相接端子間	AC1500V, 50/60Hz, 1min
	Between current-carrying metal parts and ground(case), and between each terminal and non-current-carrying metal parts. 帶電金屬零件與地(外殼)之間、接線端與不帶電金屬件之間	AC2500V, 50/60HZ, 1min
Life Expectancy 壽命	Mechanical ≥ 300,000 cycles / 機械 ≥ 300,000次	
	Electrical ≥ 10,000 cycles / 電氣 ≥ 10,000次	

Dimension 尺寸



How to Order 型號命名規範



Certificate Information 安規資訊

Certification 安規項目	Item 機種	Standard
UL & CUL	HF 606	10(10)A 125VAC, 6(6)A 250VAC, 10000 cycles, T85°C
ENEC	HF 606	10(10)A 125VAC, 6(6)A 250VAC 10000 cycles, T85°C



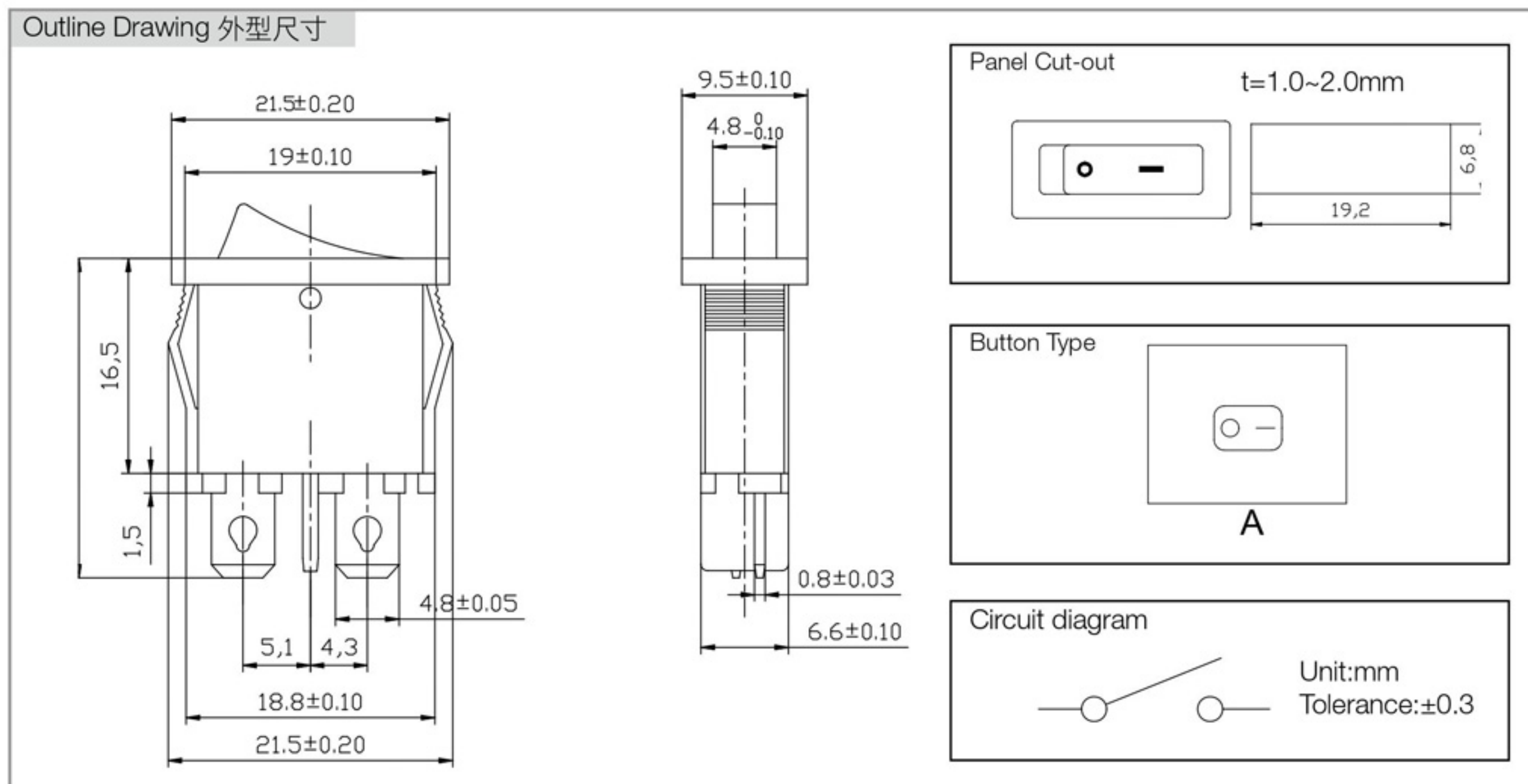
Application 應用

- Quick action.
具有快速動作的特點。
- Tight configuration, small volume.
結構緊湊，體積小。
- Endure dig current and inrush current.
可承受大電流。
- Widely used in home appliances, electric equipments, automatization equipments and similar equipments.
廣泛應用於家用電器、電子設備、自動化設備及類似設備。

Specifications 技術特性

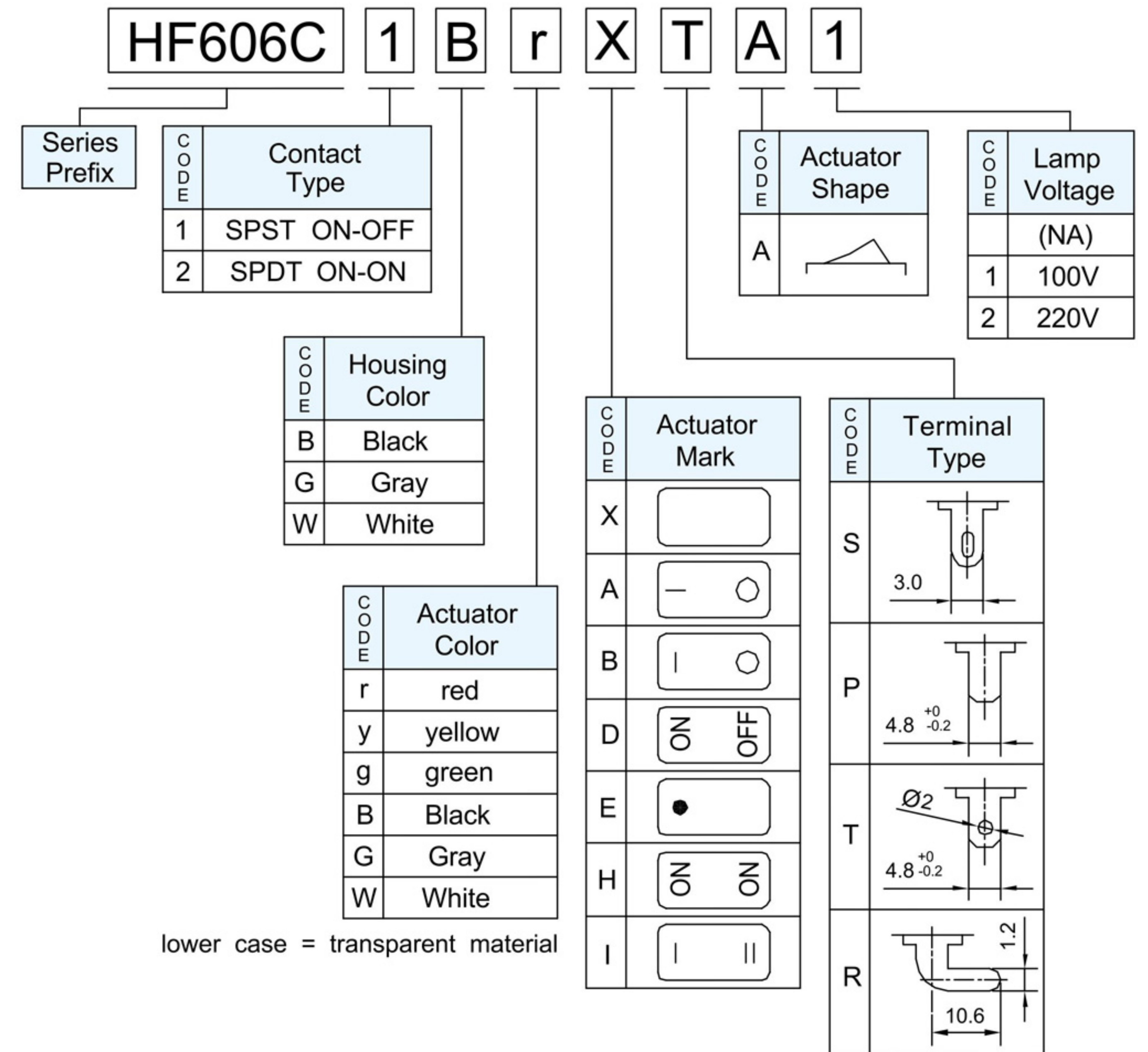
Items 項目	Value 特性值
Environment Temperature 環境溫度	20T85
Relative Humidity 相對溼度	80%RH Max
Rated Current / Voltage 額定電流 / 電壓	6A 125VAC, 10A 250VAC
Operating Force 動作力	1000gf Max
Insulation Resistance 絕緣電阻	≥ 1000MΩ (500VDC)
Contact Resistance 接觸電阻	≤ 50mΩ
Test voltage 耐電壓	Between terminals of the same polarity 同級不相接端子間
	AC1500V, 50/60Hz, 1min
Test voltage 耐電壓	Between current-carrying metal parts and ground(case), and between each terminal and non-current-carrying metal parts. 帶電金屬零件與地(外殼)之間、接線端與不帶電金屬件之間
	AC2500V, 50/60HZ, 1min
Life Expectancy 壽命	Mechanical ≥ 300,000 cycles / 機械 ≥ 300,000次
	Electrical ≥ 10,000 cycles / 電氣 ≥ 10,000次

Dimension 尺寸



* Please follow drawing of Approved Sheet that catalog drawing only for reference.

How to Order 型號命名規範



Certificate Information 安規資訊

Certification 安規項目	Item 機種	Standard
UL & CUL	HF 606	10(10)A 125VAC, 6(6)A 250VAC, 10000 cycles, T85°C
ENEC	HF 606	10(10)A 125VAC, 6(6)A 250VAC 10000 cycles, T85°C

* Please follow drawing of Approved Sheet that catalog drawing only for reference.