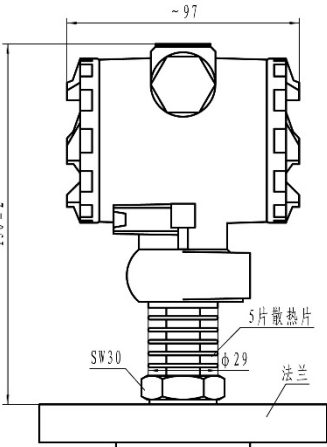
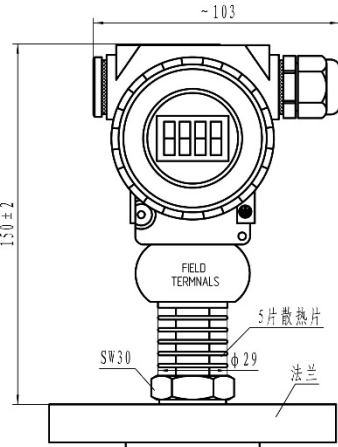

PCM400F Sanitary Pressure Transmitter



- Piezoresistive silicon chip employed
- Flange mounting
- Diaphragm of large size, full welded seal, reliable and durable for a long time
- Solid well sealed aluminum alloy junction box employed, convenient for outdoor installation and use
- Pressure measurement for gases, liquids and vapors
- Corrosion resistant metal diaphragm option
- LCD option
- Especially applicable to liquid of high temperature or viscous liquid
- Customized flange size available, with flexible installation

PCM400F Sanitary Pressure Transmitter is a customized product to meet the requirements of customer for flange installation. The product uses imported diffused silicon pressure sensitive device. It is the fruit of several technologies including diffused silicon precision machining, temperature compensation and analog signal processing technology. The product has passed long-term aging and stability screening. The performance is stable and reliable. Taking the flange plate of international standard as the interface standard, the product can meet the on-site installation requirements of customer. The main body adopts advanced process and materials, which is completely isolated from outside by sealing and curing, meeting the requirements of moisture proof, waterproof, explosion-proof and harsh working conditions.

Pressure range	
Pressure range	-100KPa, 10KPa, 35KPa, 70KPa, 100KPa, 250KPa, 400KPa, 600KPa, 1MPa, 1.6MPa, 2.5MPa, 4MPa, 6MPa, 10MPa
Pressure reference	Gauge pressure Absolute pressure Sealed gauge pressure
Overpressure	200%F.S.
Output signal	
Output	4 to 20mA 1 to 5V 0 to 5V 0.5 to 4.5V 0 to 10V
Specification	
Accuracy (linearity, repeatability and hysteresis)	±0.5%F.S. ±0.3%F.S.
Excitation	24VDC 12VDC
Operating temp.	-20-85°C
Storage temp.	-40-125°C
Zero temp. coefficient	±1.5%F.S.max.(-20-85° C)
Span temp. coefficient	±1.5%F.S.max.(-20-85° C)
Mechanical vibration	20g(20 to 5000HZ)
Shock	100g(11ms)
Insulation	100MΩ/250VDC
Response time	≤1ms(up to 90%FS)
Long term stability	≤0.2%F.S.S/year
Protection	IP65
Ex-proof	EXD II CT6
Material	Low copper aluminum alloy for shell, 316L for isolation diaphragm
Medium compatibility	All kinds of media compatible with 316L stainless steel

Type	J1: 2088 housing	J2: 2088 housing with display
<p>Dimension in mm</p>		

How to order

