

---

## PCGM01 Glass Micro-Fused Pressure Transmitter



- Glass micro-fused technology
- Perfect long term stability
- MEMS technology
- CE certificate
- Compact size

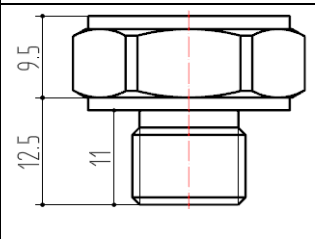
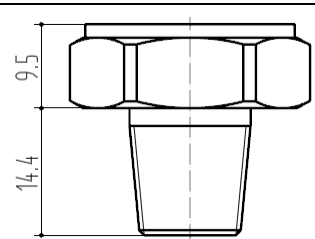
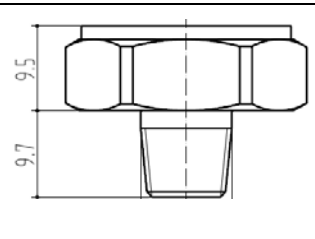
PCGM01 glass micro-fused pressure transmitter is a standard and most economic transmitter applied in air and liquid pressure measuring.

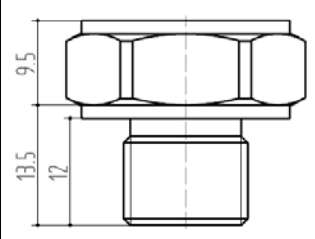
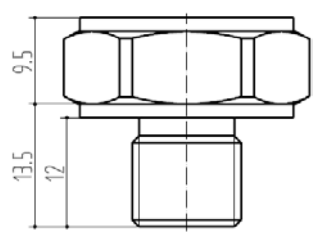
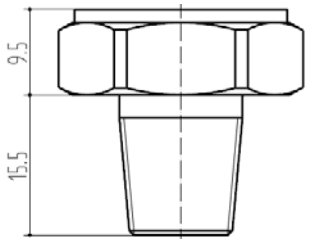
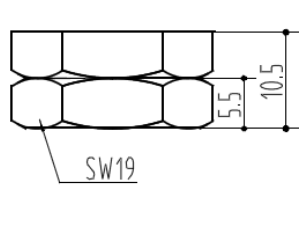
CE

Pressure	
Nominal Range	500kPa, 600kPa, 1MPa, 1.6MPa, 2.5MPa, 4MPa, 6MPa 10MPa, 16MPa, 25MPa, 40MPa, 60Mpa (bar and psi unit available)
Pressure Reference	Gauge pressure   Sealed gauge pressure
Overpressure	300%F.S.( $\leq 70$ kPa)   200%F.S.( $\leq 25$ MPa)
Output Signal	
Output	4 to 20mA   0.5 to 4.5V   1 to 5V   0 to 5V
Performance	
Accuracy (including linearity, hysteresis and repeatability)	$\pm 0.5\%$ F.S. (Typical)
Excitation	24VDC   12VDC   5VDC
Compensated Temp.	-10-70° C(typical)   -20-85° C(available)
Operating Temp.	-40-125° C
Storage Temp.	-40-125° C
Zero Temp. Coefficient	$\pm 1.5\%$ F.S. max.(-10-70° C)
Span Temp. Coefficient	$\pm 1.5\%$ F.S. max.(-10-70° C)
Pressure port	see last page "how to order"
Housing material	17-4PH
Protection	IP65
Weight	95g(approx)

Round Packard		M12×1P		Cable outlet		Mini 4 pin	
In mm		In mm		In mm		In mm	
C1		C2		C3		C4	
Current (2 wire)	Voltage (3 wire)	Current (2 wire)	Voltage (3 wire)	Current (2 wire)	Voltage (3 wire)	Current (2 wire)	Voltage (3 wire)
Pin 1 +Excitation Pin2 +Output Pin 3 Pending	Pin 1 +Excitation Pin 2 -Excitation Pin 3 +Output	Pin 1 +Excitation Pin 2 +Output Pin 3 Pending Pin 4 Pending	Pin 1 +Excitation Pin 2 +Output Pin 3 -Excitation Pin 4 Pending	Red: +Excitation Green: +Output	Red +Excitation Green -Excitation Yellow +Output	Pin 1 +Excitation Pin 2 +Output Pin 3 Pending	Pin 1 +Excitation Pin 2 -Excitation Pin 3 +Output

Pressure port

Thread	G1/4	1/4-18NPT	1/8-27NPT
Dimension in mm Hex 24mm			
Code	P1	P2	P3

Thread	M14x1.5	M12x1.5	1/4-19PT	7/16-20UNF(female)
Dimension in mm Hex 24mm				
Code	P4	P5	P6	P7

## How to order

PCGM01 XX—XX—XX—XX—XX—XX

### Pressure range

Please write directly

### Pressure reference

A: absolute pressure

S: sealed gauge pressure

### Excitation

E1: 5V DC

E2: 24V DC

E3: 12VDC

### Output signal

S1: 4 to 20mA

S2: 0.5 to 4.5V

S3: 1 to 5V

S4: 0 to 5V

### Pressure connection

P1: G1/4

P5: M12×1.5

P2: 1/4-18NPT

P6: 1/4-19PT

P3: 1/8-27NPT

P7: 7/16-20UNF (female)

P4: M14×1.5

P8: others (please specify)

### Electrical connection

C1: Round packard

C2: M12×1P

C3: Cable outlet (please write the cable length)

C4: Mini 4 pin