

PCT120 Industrial Temperature Sensor

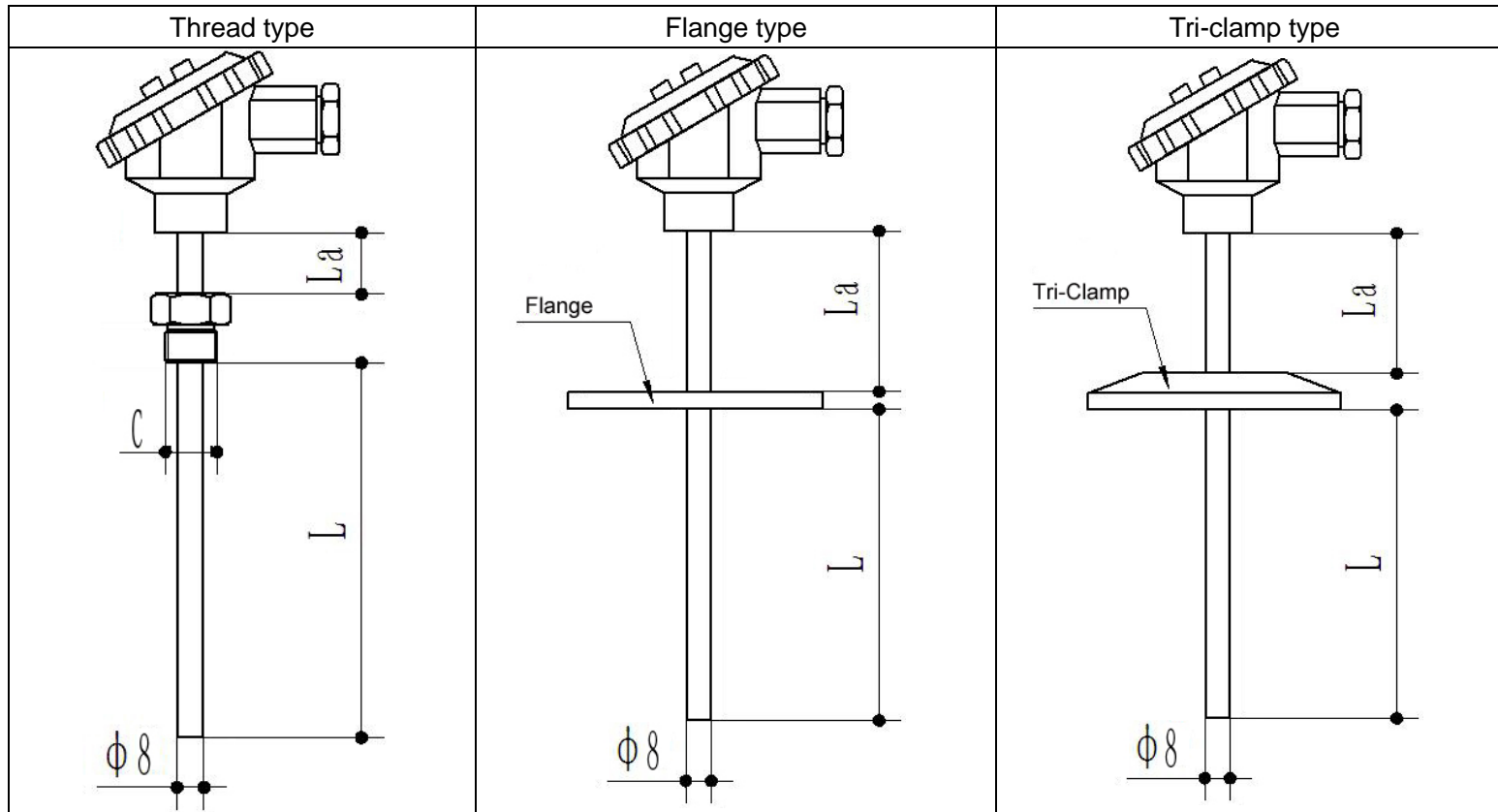


Platinum temperature sensor

Vibration resistance, good reliability, high accuracy

PT100, (PT1000 selectable)

Temperature range	
Temperature range	-50°C to 250°C
Specification	
Resistance value R0 (at 0°C)	Class A: 100±0.06Ω
Allowable deviation value Δ °C	Class A: ±(0.15+0.002 t)
Heat response time	≤30S
Minimum insertion length	≥10mm
Insertion diameter	Φ8mm (others please specify)
Insulation	100MΩ/250VDC
Current	≤5mA
Protection	IP65
Electrical connection	Cable
Long term stability	≤0.2%FS/year



PCT120 XX-XX-XX-XX-XX

Temperature range

Please write directly

Temperature connection

C1: M20*1.5 F1: DN25 K1: 1.5"TC
 C2: G1/2 F2: DN40 K2: 2"TC
 C3: M14x1.5

Wire output

W1: 2 wire connection
 W2: 3 wire connection

Sensing element

P1: Pt100
 P2: Pt1000

Insertion length

L30: 30mm
 L50: 50mm
 L75: 75mm
 L100: 100mm
 L150: 150mm